

APPLICATION:

JOB NAME:

QUANTITY: ITEM NO.

PRODUCT NAME:
8" C/C BACKSPASH MOUNT PRE-RINSE SPRING STYLE WITH ADD-ON FAUCET

SPECIAL CONFIGURATION
 CHECK BASE MODEL AND OPTIONS

MODEL:

34436 WITH 6" SWING SPOUT

34444 WITH 8" SWING SPOUT

34452 WITH 10" SWING SPOUT

34460 WITH 12" SWING SPOUT

34479 WITH 14" SWING SPOUT

34487 WITH 16" SWING SPOUT

OPTIONS OR MODIFICATIONS:

SUPPLY LINES (24" OR 36") CIRCLE LENGTH

IN-LINE DUAL CHECK VALVE

BRUSH

HANDLES (CROSS OR WRIST) CIRCLE STYLE

VANDAL RESISTANT KIT

OTHER _____

FEATURES

MAIN CONTROL VALVE

- * 8" C/C BACKSPASH MOUNT
- * INTERNAL SPRING LOADED CHECK VALVES
- * SWIVELLING SEAT DISKS
- * HOT SIDE STEM - RIGHT HAND CHECK
- * COLD SIDE STEM - LEFT HAND CHECK
- * STAINLESS STEEL SEATS, SEAT SCREWS, AND HANDLE SCREWS

HOSE

- * 36" LENGTH
- * STAINLESS STEEL END FITTINGS
- * STAINLESS STEEL EXTERNAL JACKET
- * 3-PLY FIBER REINFORCED INTERNAL RUBBER HOSE
- * REPAIRABLE IN-FIELD WITH SIMPLE TOOLS

ULTRA SPRAY VALVE

- * LOWEST ENERGY USER - 1.15 GPM @ 60 PSI
- * CLEANS FASTER - TEST PROVEN
- * ENGINEERED TO LAST - NO 'O' RINGS TO LEAK
- * INTERCHANGEABLE - FITS ALL BRANDS

WAL BRACKET

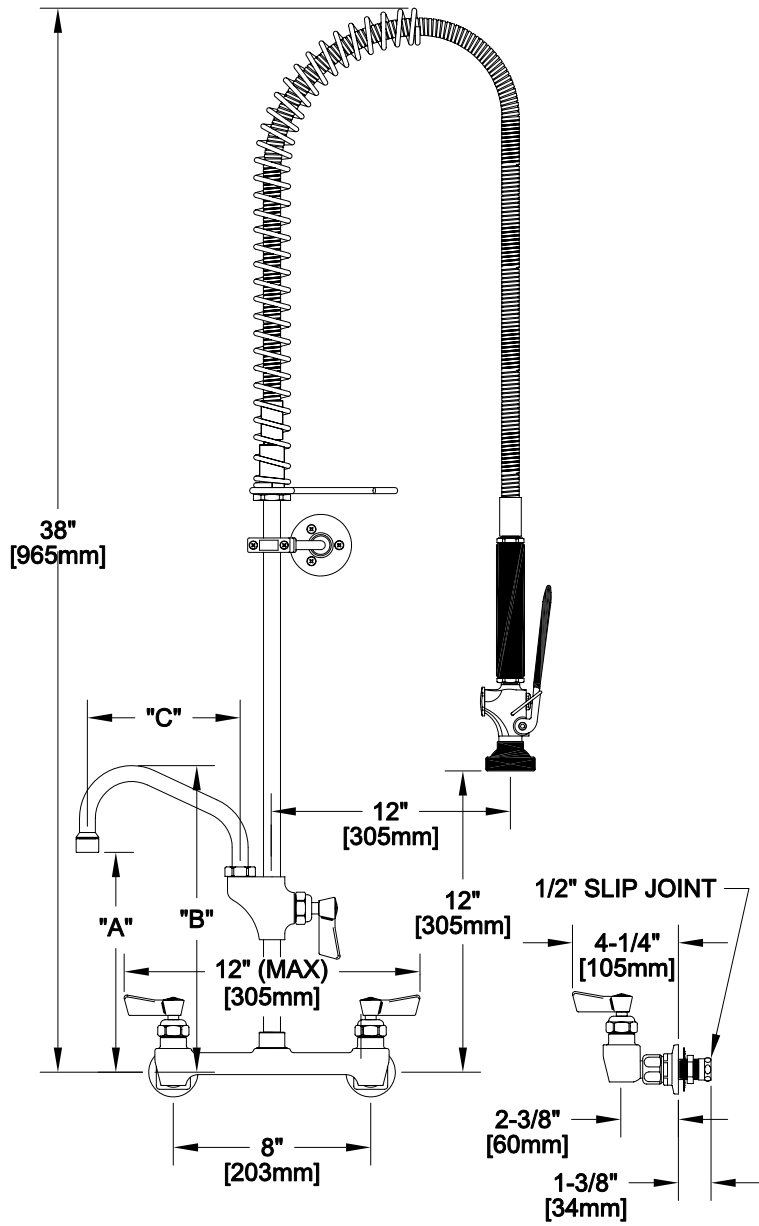
- * ADJUSTS FROM 2" TO 12"

SYSTEM LIMITS

- * TEMP: 40°F MIN. TO 140°F MAX.
- * PRESSURE: 200 PSI MAX. STATIC

SHIPPING WEIGHT

- * 15.0 LBS



| ROUGH-IN | MODEL | DIM "A" | DIM "B" | DIM "C" |
|----------|-------|--------------------|--------------------|----------------|
| | 34436 | 8-3/4" [221mm] | 12-3/8" [313mm] | 6" [152mm] |
| | 34444 | 9" [228mm] | 12-7/8" [326mm] | 8" [203mm] |
| | 34452 | 9-5/8" [244mm] | 13-3/8" [340mm] | 10" [254mm] |
| | 34460 | 10-1/4" [259mm] | 13-7/8" [351mm] | 12" [305mm] |
| | 34479 | 10-5/8" [275mm] | 14-3/4" [374mm] | 14" [356mm] |
| | 34487 | 11-1/2" [292mm] | 15-3/8" [390mm] | 16" [406mm] |

